

# Fire & Security Detection and System



## Fire Detectors - Conventional

### SD119-2/2L



CE EN54-7

0905-CPR-00210



2-Wire Photoelectric Smoke detector  
2-Wire Smoke detector with remote LED output

### SD119-2H/2HL



CE EN54-5

0905-CPR-00210



2-Wire Smoke cum Heat detector  
2-Wire Smoke cum Heat detector with remote LED output

### SD119-4



CE EN54-7

0905-CPR-00210



4-Wire Photoelectric Smoke detector with relay output  
Input: 12VDC / 24VDC / 48VDC / 110VDC

### SD119-4H



CE EN54-5

0905-CPR-00210



4-Wire Smoke cum Heat detector with relay output  
Input: 12VDC / 24VDC / 48VDC / 110VDC

### SD388-2/2L

CE



2-Wire Photoelectric Smoke detector  
2-Wire Smoke detector with remote LED indicator output

### SD388-4

CE



4-Wire Photoelectric Smoke detector with relay output  
Input: 12VDC / 24VDC / 48VDC

### HD912-2/2L



CE EN54-5

0905-CPR-00211



2-Wire Rate-of-rise/Fixed Temperature Heat Detector  
2-Wire Rate-of-rise/Fixed Temperature Heat Detector with Remote LED indicator output

### HD912-4



CE EN54-5

0905-CPR-00211



4-Wire Rate-of-rise/Fixed Temperature Heat Detector with relay output  
Input: 12VDC / 24VDC

### SD119-G-2C

CE



4-Wire Photoelectric Smoke detector with relay output (COM/NO/NC)  
Input: 10-60VDC / 110VDC

### CD9020

Dual photo sensor technology  
False alarm FREE

CE



2-Wire Photoelectric Smoke Detector  
UL268/UL521 PENDING  
EN 54-7 PENDING

### CD9100

CE



2-Wire Heat Detector  
UL268/UL521 PENDING  
EN 54-5 PENDING

### CD9220

Dual photo sensor technology  
False alarm FREE

CE



2-Wire Smoke cum Heat Detector  
UL268/UL521 PENDING  
EN 54-5/7 PENDING

## Smoke Detectors or Carbon Monoxide Detectors - Domestic

### X100

10 Years Limited Warranty

X100-B-NB: NB-IoT  
X100-B-Z: ZigBee  
X100-B-W\*: Z-Wave  
X100-B-L\*: LoRa  
X100-B-R\*: Customized RF



Dual-wavelength  
Smoke Alarm

10-year lifetime battery (X100) CR123A  
Changeable battery (X100-B-\*\*\*)

CO alarm X100-C

Smoke & CO alarm X100-D

### V10

10 Years Limited Warranty

V10-B-NB: NB-IoT  
V10-B-Z: ZigBee  
V10-B-W\*: Z-Wave  
V10-B-L\*: LoRa  
V10-B-R\*: Customized RF



Dual-wavelength  
Smoke Alarm

10-year lifetime battery (V10) CR123A  
Changeable battery (V10-B-\*\*\*)

CO alarm V10-C

Smoke & CO alarm V10-D

### SK-20



Smoke alarm  
10-year lifetime battery  
A variety of color optional

### HK-21



Heat alarm, Class A2  
10-year 3V lithium battery

### SK-200/201

10 Years Limited Warranty

SK-200  
SK-201Z: ZigBee  
SK-201W\*: Z-Wave  
SK-201L\*: LoRa  
SK-201R\*: Customized RF



Intelligent smoke alarm

10-year 3V lithium battery (SK-200)  
CR123A Changeable battery (SK-201\*\*\*)

Co Alarm: CK220, CK221-\*\*

### HK-210/211

HK-210  
HK-210Z: ZigBee  
HK-210W\*: Z-Wave  
HK-210L\*: LoRa  
HK-210R\*: Customized RF



Heat alarm (A1R or A1S)  
10-year 3V lithium battery (HK-210)  
CR123A Changeable battery (HK-211\*\*\*)  
5 Years Limited Warranty

### SK40/SK50



Optical smoke alarm 9V battery operated  
5 Years Limited Warranty

### X200

10 Years Limited Warranty

X200-B-NB: NB-IoT  
X200-Z: ZigBee  
X200-W\*: Z-Wave  
X200-L\*: LoRa  
X200-R\*: Customized RF



Dual-wavelength  
Smoke Alarm

10-year lifetime battery (X200)  
CR123A changeable battery (X200-B\*\*\*)

CO alarm X200-C

Smoke & CO alarm X200-D

# Fire Detectors/Devices - Addressable

AD7020/AD7021 (or -X)

CE



2-Wire Photoelectric Smoke Detector  
EN 54-7 PENDING

AD7100/AD7101 (or -X)

CE



2-Wire Rate-of-rise/Fixed Temperature  
Heat Detector Class A1R  
EN 54-5 PENDING

AD7220/AD7221 (or -X)

CE



2-Wire Optical Smoke & Heat  
Detector Class A2S  
EN 54-5&7 PENDING

A D10 10 /A D1 01

CE



2-Wire Photoelectric Smoke Detector  
EN 54-7 PENDING

AD1100/AD1101-X

CE



2-Wire Rate-of-rise/Fixed  
Temperature Heat Detector Class A1R  
EN 54-5 PENDING

A D12 10 /A D1 21

CE



2-Wire Optical Smoke & Heat  
Detector Class A2S  
EN 54-5/7 PENDING

AD2010/AD2011(or -X)

CE



2-Wire Photoelectric Smoke Detector  
Input:10.2VDC~33VDC  
EN 54-7 PENDING

AD2100/AD2101(or -X)

CE



2-Wire Rate-of-rise/Fixed Temperature  
Heat Detector Class A1R or A1S  
Input:10.2VDC~33VDC  
EN 54-5 PENDING

AD 902 0/A D902

Dual-wavelength  
False alarm FREE

CE



Dual Optical Smoke Detector  
UL268 PENDING  
EN 54-7 PENDING

CP5111/CP5111-X



Call Point

VS 5721



Beacon & Sounder

Addressable  
Module-  
AM111



For Call point or Input

For Detector



For Sounder/Beacon or Output

## Fire Detectors/Devices - Conventional

CD1010/CD1011

CE



2-Wire Photoelectric Smoke  
Detector Input:10.2VDC~33VDC  
EN 54-7 PENDING

CD1210/CD1211

CE



2-Wire Smoke & Heat Detector Class A2S  
Input:10.2VDC~33VDC  
EN 54-5&7 PENDING

CD1100/CD1101

CE



2-Wire Rate-of-rise/Fixed Temperature  
Heat Detector Class A1R  
Input:10.2VDC~33VDC  
EN 54-5 PENDING

CD2010/CD2011

CE



2-Wire Photoelectric Smoke  
Detector Input:10.2VDC~33VDC  
EN 54-7 PENDING

CD210 0/CD 210

CE



2-Wire Rate-of-rise/Fixed Temperature  
Heat Detector Class A1R or A1S  
Input:10.2VDC~33VDC  
EN 54-5 PENDING

CD 9020 /C D90 21/C  
D902 2 CD 9022 -G

Dual-wavelength  
False alarm FREE

CE



Dual Optical Smoke Detector  
UL268 PENDING  
EN 54-7 PENDING

F D7801 /F D780



Flame Detectors 2-Wire or 4-Wire

CD290-D

For HAVC application  
Dual-wavelength  
EN 50121-3-2:2008



Input: 10VDC-60VDC  
Output: Change-Over Relay  
Dual Optical Smoke Detector

FD7912/FD7922



Explosion- Proof Flame Detector  
Dual IR or Triple IR or dual IR & UV

CP5110/CP5112



Call Point

VS572 0

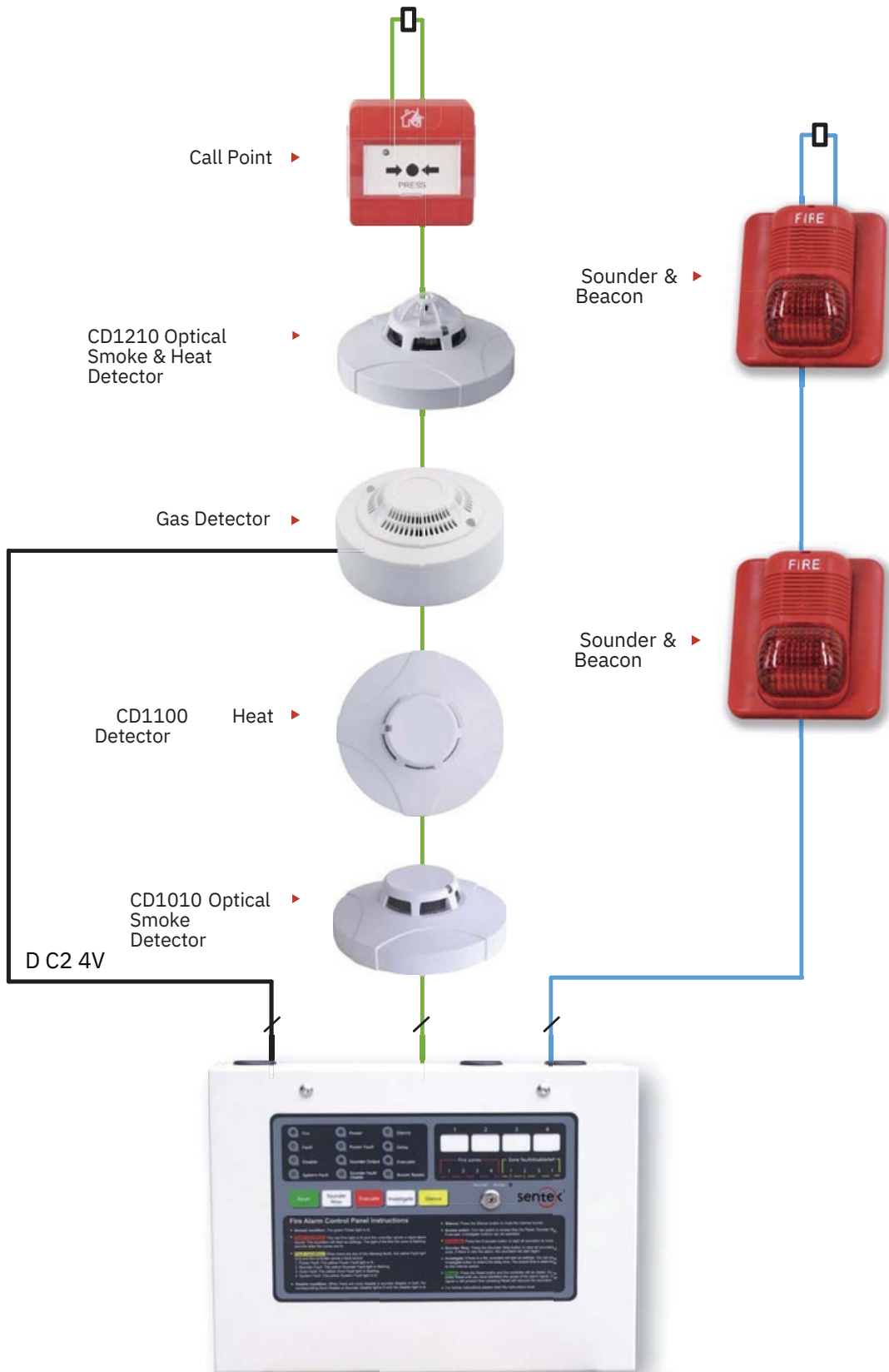


Beacon & Sounder

Remote LED indicator

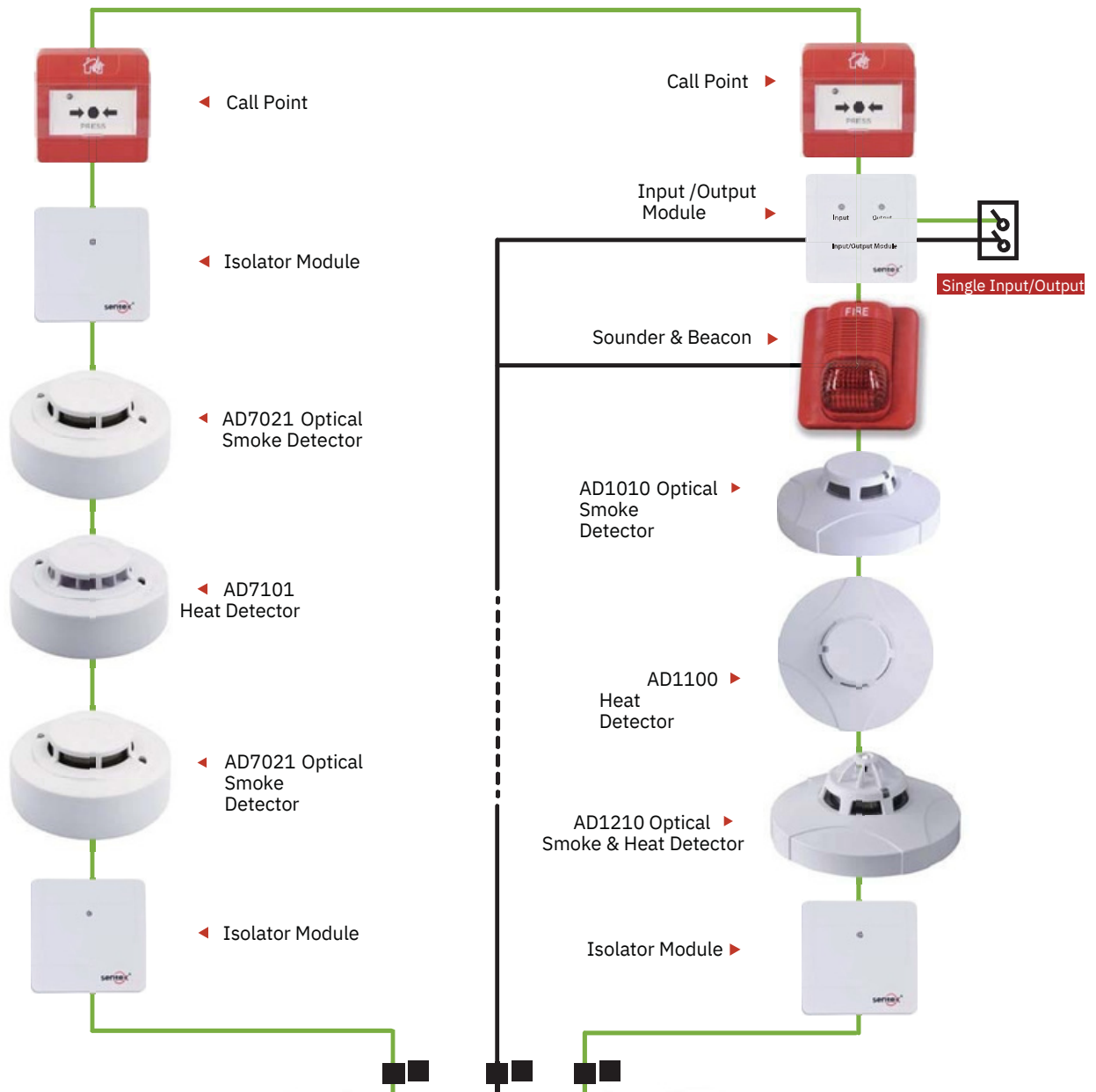


# Conventional Fire Alarm System



CF800X  
Conventional Fire Alarm Panel

# Analogue Addressable Fire Alarm System



## TP1002 specification:

- ▶ 1,2,4 Loops
- ▶ 240 Device addresses per loop
- ▶ 64 Fully programmable zones
- ▶ Integrated 32 zone LED FIRE zone indication
- ▶ Backlit LCD display with 6x80 character (240x128) dot matrix
- ▶ 2pcs 4.5AH/12V batteries backup

- RS232 serial port used to Upload/Download data and interface PC Graphics
- 24V auxiliary output
- Fault Relay (change-over)
- Conventional Alarm output (individually programmable)
- Conventional Sounder/Beacon output (programmable)
- Event log (rolling, 1000 entries)

■ ■ HINKLOOP Addressable Fire Alarm Panel



## Recessed Magnetic Contact Switches

BR-1011



3/4" GAP  
3/8" dia. x 9/16" L

BR-1012



3/4" GAP  
3/8" dia. x 3/4" L

BR-1012T



3/4" GAP  
3/8" dia. x 15/16" L

BR-1013



7/8" GAP  
3/8" dia. x 1-1/4" L

BR-1013T



15/16" GAP  
3/8" dia. x 1-1/8" L

BR-1011DM



5/8" GAP  
3/8" dia. x 9/16" L

BR-1012DM



5/8" GAP  
3/8" dia. x 9/16" L

BR-1012WG



1-1/8" GAP  
3/8" dia. x 3/4" L

BR-1012TWG



1" GAP  
3/8" dia. x 3/4" L

BR-1014



3/4" GAP  
1/4" dia. x 9/16" L

BR-1015



1" GAP  
1/4" dia. x 1-1/16" L

BR-1016



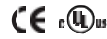
1" GAP  
1/4" dia. x 1-1/16" L

BR-1017



3/4" GAP  
3/8" dia. x 15/16" L

BR-1018



3/4" GAP  
3/8" dia. x 1" L

BR-1019



3/4" GAP  
3/8" dia. x 1-1/4" L

BR-1020/BR-1020C



3/4" GAP  
1/2" dia. x 3/4" L

BR-1021



1-1/2" GAP  
3/4" dia. x 13/16" L

BR-1021T



1-3/8" GAP  
3/4" dia. x 13/16" L

BR-1021DCM



1" GAP

BR-1022



1-1/2" GAP  
1" dia. x 13/16" L



## Recessed Magnetic Contact Switches

BR-1031



3/4" dia.x15/8"L

BR-1032/ BR-1032



BR-1032: 3/4" dia.x25/32"L  
BR-1032T: 3/4" dia.x13/16"L

BR-1033/ BR-1033



BR-1033: 3/4" dia.x7/8"L  
BR-1033T: 3/4" dia.x1-1/4"L

BR-1041/ BR-1041



BR-1041: 3/4" dia.x11/16"L  
BR-1041T: 3/4" dia.x15/16"L

BR-1051 / BR-1051



BR-1051: 3/8" dia.x1"L  
BR-1051T: 3/8" dia.x1-3/8"L

BR-1051F / BR-1051F



BR-1051F: 3/8" dia.x1"L  
BR-1051FT: 3/8" dia.x1-3/8"L

BR-1052



3/8" dia.x1-1/2"L

BR-1052K



3/8" dia.x1-17/32"L

BR-1060



1/2" GAP  
0.6" dia.x0.24"L

BR-1023



1" GAP  
0.31" dia.x1.18L

BR-1025



3/4" GAP  
1/4" dia.x1.16"L

BR-1026



3/4" GAP  
sw:1/4" dia.x1"L  
mg:2"Lx3/4"Wx1/2"H

BR-1072



5/8" GAP  
0.24" dia.x0.6"L

BR-1073



3/4" GAP  
0.31" dia.x1"L

BR-1074



1-1/2" GAP  
3/4" dia.x1"L

BS-2074



1/2" GAP  
1/4"Lx1/4"Wx1"H

BS-2062



1" GAP  
1.3"Lx0.5"Wx0.25"H

European Model  
BSE-201

5/8" GAP  
2.5"Lx0.51"Wx0.51"H

European Model  
BSE-301

1-1/2" GAP  
sw: 3.35"Lx1"Wx0.75"H  
mg: 3.35"Lx0.53"Wx0.75"H

European Model  
BS-2013

1" GAP  
1.69"Lx0.47"Wx0.47"H

## Surface Mounted Magnetic Contacts

**BS-2011**



1" GAP  
1.32"Lx0.53"Wx0.31"H

**BS-2012**



1" GAP  
1.1"Lx0.49"Wx0.30"H

**BS-2015**



1" GAP  
1"Lx0.25"Wx0.25"H

**BS-2017**



3/4" GAP  
2.36"Lx0.59"Wx0.25"H

**BS-2018**



1" GAP  
2.67"Lx0.79"Wx0.21"H

**BS-2021**



1" GAP  
1.32"Lx0.53"Wx0.3"H

**BS-2022**



1-1/8" GAP  
2"Lx0.35"Wx0.53"H

**BS-2023**



1/2" GAP  
0.67"Lx0.32"Wx0.2"H

**BS-2024**



1" GAP  
1.5"Lx0.37"Wx0.25"H

**BS-2025**



1" GAP  
2.5"Lx0.47"Wx0.51"H

**BS-2026**



3/4" GAP  
1.1"Lx0.39"Wx0.24"H

**BS-2026T**



1" GAP  
1.1"Lx0.39"Wx0.25"H

**BS-2027**



3/4" GAP  
1.1"Lx0.39"Wx0.24"H

**BS-2031**



1-1/8" GAP  
2.48"Lx0.75"Wx0.63"H

**BS-2032**



15/16" GAP  
2"Lx0.38"Wx0.29"H

**BS-2033**



1-1/8" GAP  
1.97"Lx0.55"Wx0.48"H

**BS-2034**



1" GAP  
2.58"Lx0.44"Wx0.54"H

**BS-2036**



1" GAP  
2.48"Lx0.75"Wx0.63"H

**BS-2051**



1" GAP  
1.3"Lx0.32"Wx0.36"H

**BS-2061**



1/2" GAP  
1"Lx0.26"Wx0.22"H

## Surface Mount/Overhead/other Door Contact Switch

BS-2071



1-1/2" GAP  
1.97" Lx0.67" Wx0.39" H

BS-2072



2-1/2" GAP  
3" Lx1" Wx0.5" H

BSD-3011



2-1/2" GAP

BSD-3012



2-3/4" GAP

BSD-3013



2-3/4" GAP

BSD-3014



2-3/4" GAP

BSD-3015



2-3/4" GAP

BSD-3016



2-1/2" GAP

BSI-2041



2-1/2" GAP  
4.33" Lx0.55" Wx0.55" H

BSI-2041F



2-1/2" GAP  
4.33" Lx0.55" Wx0.55" H

BP-4100



3.44" Lx1.63" Wx0.75" H

BSD-3017



2" GAP  
sw: 2.18" Lx1.38" Wx0.38" H  
mg: 2" Lx2.64" Wx1.15" H

BSD-3020



2-3/4" GAP

BSD-3021



2-3/4" GAP  
3" Lx1.25" Wx0.5" H

BSD-3022



2-3/4" GAP  
3.75" Lx1.13" Wx0.5" H

BS-2073AC



3/4" GAP  
3.35" Lx0.78" Wx0.70" H  
AC230V/4A, 500VA

## Accessories

Magnet



Prewire plugs



Water sensor



TS-03



# Wireless Sensors compatible with Honeywell, 2GIG, DSC, or Interlogix

WC10



Thin Door Contact Transmitter

WC20



Recessed Door Contact Transmitter

WC12



Ultra thin Door Contact Transmitter

WC12B



Door Contact Transmitter with Bypass Button

MS-801



Wide angle passive infrared Motion Detector

MS-851



Curtain passive infrared Motion Detector

X200-R  
X200-C-R\*  
X200-D-R\*



Smoke or CO Alarm\*

## Z-Wave/ZigBee sensors

ZC-100W: Z-Wave  
ZC-100Z: ZigBee



Surface mounted Door/Window Sensor

ZCZ-C20-200W0: Wave  
ZC-200Z: ZigBee



Recessed Door/Window Sensor with tamper switch

ZW-500W: Wave  
Z- ZW-500Z: ZigBee



Water/flood sensor

ZM-800W: Wave  
Z- ZM-800Z: ZigBee



ZM-850W: Wave  
Z- ZM-850Z: ZigBee



Curtain PIR Motion Sensor

X200-W: Z-Wave  
X200-C-W: Z-Wave  
X200-D-W: Z-Wave  
X200-Z : ZigBee  
X200-C-Z : ZigBee  
X200-D-Z : ZigBee



Smoke or CO Alarm\*